



Canopy Lights

Common Applications

- Kitchen canopies

Features

- 2 x 36W LED Tubes
- Stainless Steel Face
- Laminated Glass
- Template to cut hole in Canopy included in Kit
- Manufactured in compliance with Australian standard

Canopy Plugs

Common Applications

- Kitchen canopies

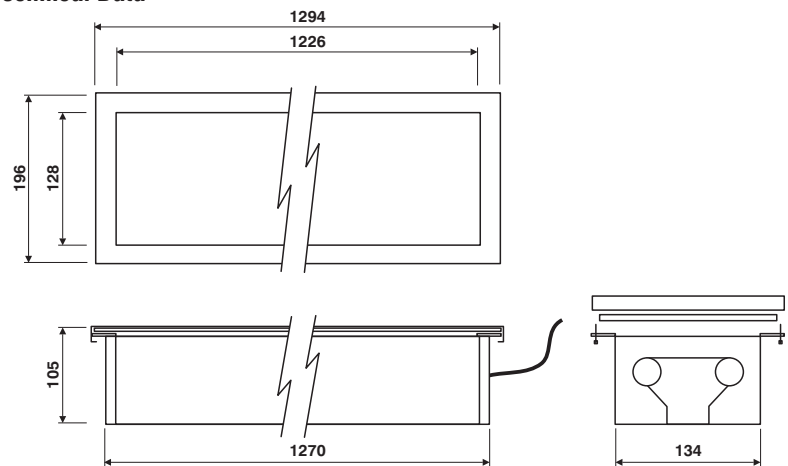
Features

- 3 Piece
- Easy to assemble

Canopy Lights

High quality stainless steel canopy lights fitted with twin 36W LED tubes. The front of the unit consists of a stainless steel face and laminated glass. The lights are suitable for recessed applications and the LED tubes is replaced via glass panel.

Technical Data



Canopy Plugs

The 3 piece Canopy Drain Plug is easy to assemble and is ideal for SS commercial canopies. The plugs are Chrome Plated and are 30mm in diameter