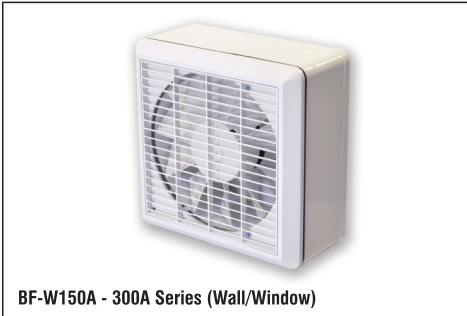


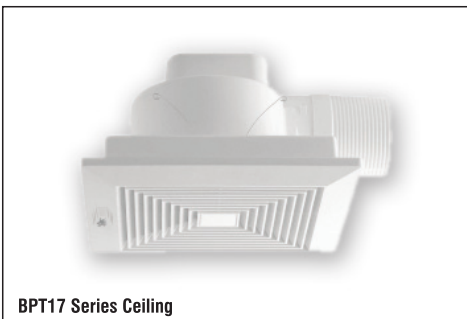
# Wall/Window & Ceiling Fans



BF-W150A - 300A Series (Wall/Window)



CF18-11 (Ceiling)



BPT17 Series Ceiling

BFW - Wall window fan  
CF & BPT - Ceiling fan

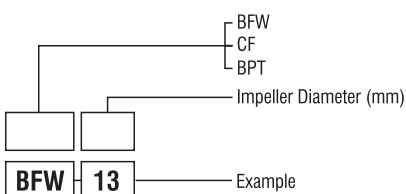
### Common Applications

- Suitable for bathrooms, laundries & amenities
- Domestic & commercial use

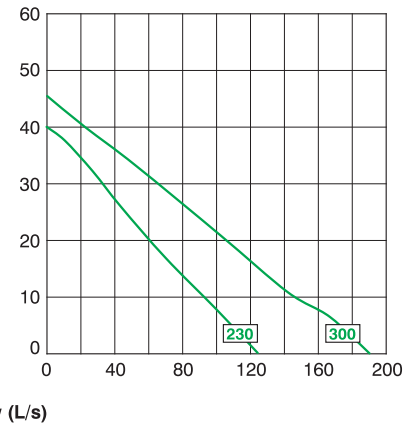
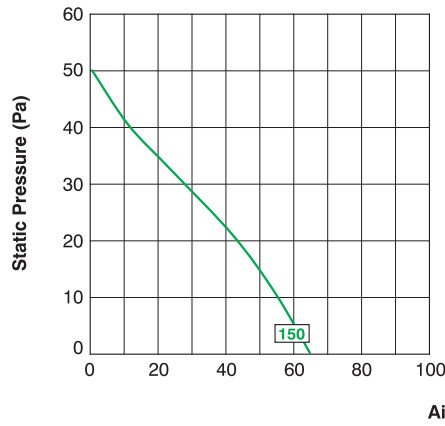
### Features

- Easy to install
- High quality
- Complete with backdraft dampers

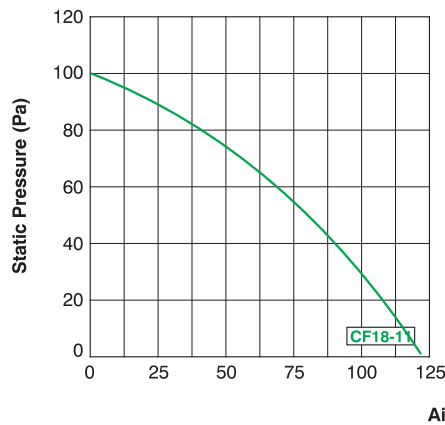
### Order Code



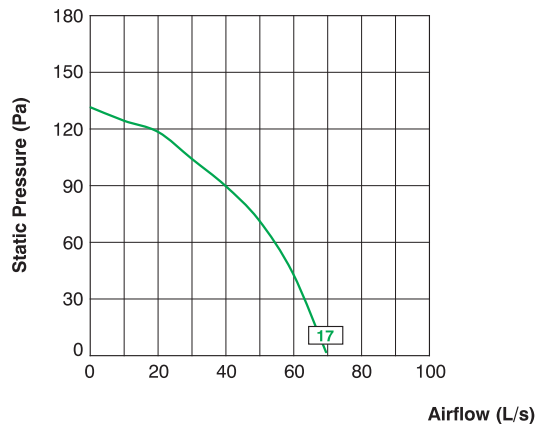
## BFW Series



## CF18-11 Series



## BPT Series



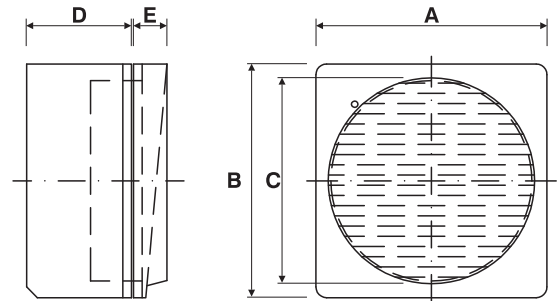
## Technical Data

Model	Speed r/s	1 phase		3 phase		Octave Band Frequency Lw db (A)								SPL dB(A) @3m
		KW	Amps	KW	Amps	63	125	250	500	1k	2k	4k	8k	
BF-W150A	38	0.03	0.19	-	-	44	61	65	61	50	50	42	31	54
BF-W230A	19	0.04	0.20	-	-	37	47	50	54	58	53	47	40	53
BF-W300A	17	0.07	0.32	-	-	54	60	59	58	59	55	50	42	55
CF18-11	23	0.03	0.13	-	-	67	69	64	56	53	40	0	0	45
BPT17	23	0.04	0.30	-	-	56	58	53	45	42	28	0	0	40

Note: Amperages shown are a guide only.

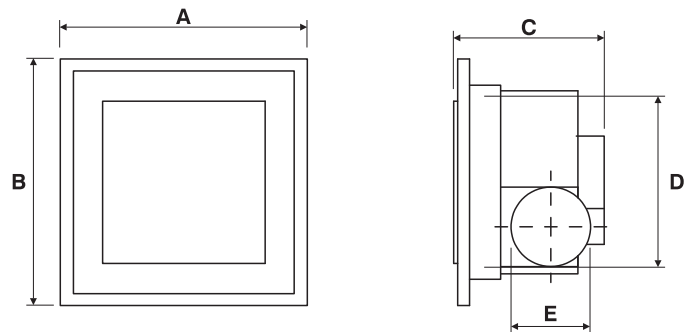
### Technical Data

Model	Kg	A	B	C	D	E
BF-W150A	2	203	218	184	105	23
BF-W230A	3	286	286	260	125	25
BF-W300A	5	362	362	320	145	29



### Technical Data

Model	Kg	A	B	C	D	E
CF18-11	3	310	310	189	244	100



### Technical Data

Model	Kg	A	B	C	D	E	F	G	H
BPT17	2	275	290	120	35	175	125	40	150

