

# Roof Centrifugal Fans TEFC Motor



MCVH315 - 710 Series

High performance metal fans

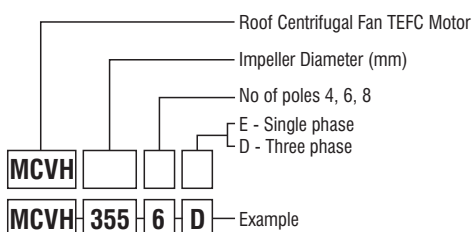
### Common Applications

- Vertical discharge suitable for roof installations up to 15°
- Suitable for low & large air flows with motor out of airstream

### Features

- Available in 3 phase and with H Class or EXE motors
- Galvanised steel construction, High efficient Backward curved centrifugal impeller with TEFC motor
- Sizes from 315 - 710mm
- 450mm and above are fitted with latches on windband for removal

### Order Code



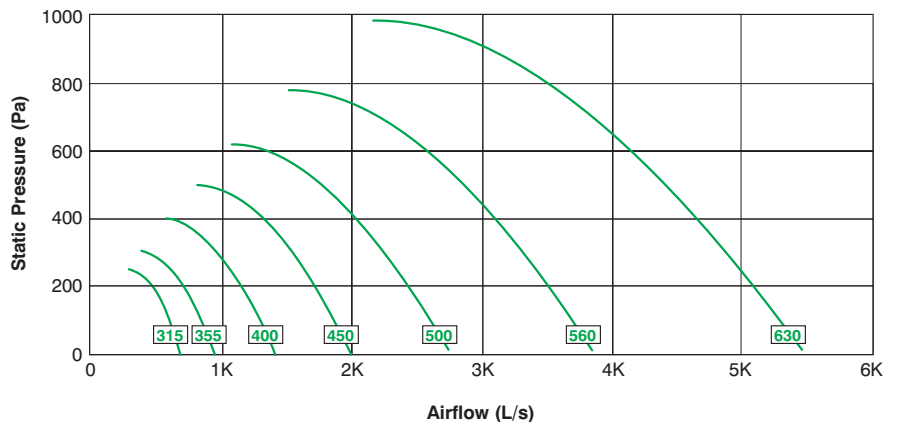
## MCVH Series

MCVH is a range of high performance all metal fans for use in kitchen exhaust and general ventilation applications. Motors are mounted out of the air stream and wind bands are secured with clip fasteners to allow easy access for servicing and cleaning.

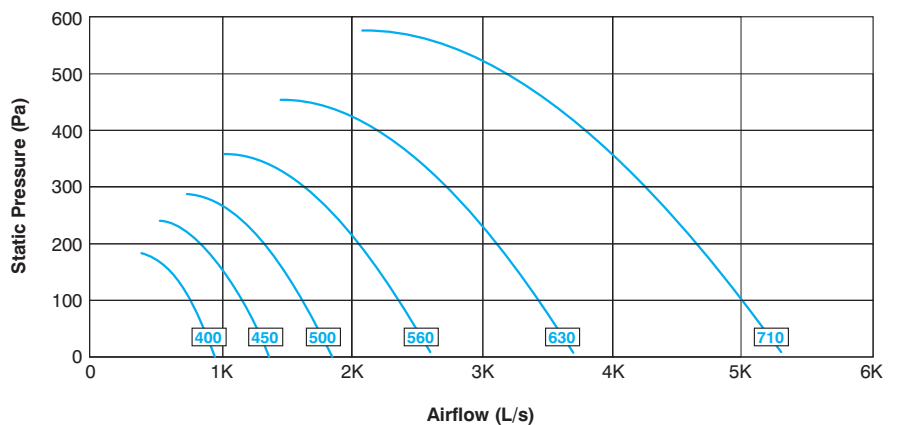
The MCVH is fabricated from galvanised steel in compliance with AS/NZS1668.1:1998 for kitchen exhaust systems. High performance backward curved centrifugal impellers are driven by TEFC motors incorporating sealed for life bearings. Class F motors are rated to 80°C ambient air temperature. Class H motors are rated to 120°C ambient air temperature. Available in optional Colorbond™ colours.

MCVH rated fan performance has been determined by testing to DIN24163 1998. Fan sound data has been determined by testing to DIN 45635

### 4 Pole



### 6 Pole



# Roof Centrifugal Fans TEFC Motor



## Technical Data

■ 4 POLE ■ 6 POLE ■ 8 POLE

Model	Speed r/s	1 phase		3 phase		Octave Band Frequency Lw db (A)								SPL dB(A) @3m
		KW	Amps	KW	Amps	63	125	250	500	1k	2k	4k	8k	
MCVH310/4	24	-	-	0.37	0.89	77	75	69	66	59	55	55	51	47
MCVH355/4	24	-	-	0.37	0.89	75	78	72	71	61	63	59	52	51
MCVH400/4	24	-	-	0.55	1.32	79	81	75	73	66	66	65	58	54
MCVH400/6	16	-	-	0.55	1.32	70	72	67	63	58	55	52	47	45
MCVH450/4	24	-	-	0.75	1.81	78	81	77	75	69	69	67	63	57
MCVH450/6	16	-	-	0.55	1.32	74	75	68	65	59	58	55	50	47
MCVH500/4	24	-	-	1.50	3.62	81	85	81	76	74	74	69	71	60
MCVH500/6	16	-	-	0.75	1.81	74	80	72	66	63	61	58	55	50
MCVH560/4	24	-	-	3.00	7.23	86	93	88	80	78	78	73	72	65
MCVH560/6	16	-	-	1.50	3.62	78	82	75	70	66	66	62	61	54
MCVH630/4	24	-	-	5.50	13.3	90	97	90	83	83	81	80	75	69
MCVH630/6	16	-	-	2.20	5.30	81	85	78	72	71	68	66	65	57
MCVH710/6	16	-	-	3.00	7.23	85	90	85	75	73	71	70	68	61

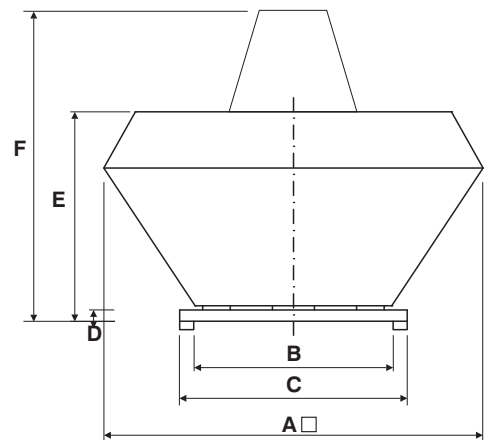
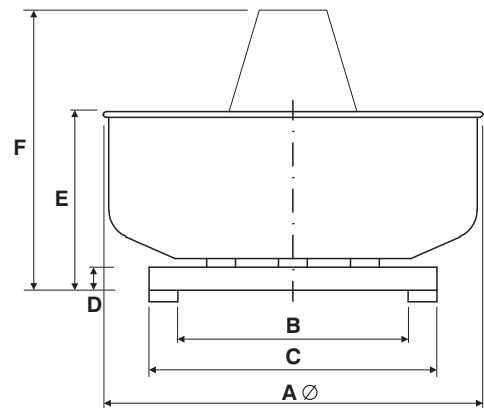
Note: Amperages shown are a guide only.

### Technical Data

Model	Kg	A	B	C	D	E	F
MCVH315	20	600	400	500	40	320	-
MCVH355	30	660	400	500	40	320	-
MCVH400	35	790	400	500	40	440	-
MCVH450	40	790	620	720	40	420	-
MCVH500	55	920	620	720	40	560	-
MCVH560	60	920	620	720	40	520	-

### Technical Data

Model	Kg	A	B	C	D	E	F
MCVH630	63	1150	710	810	40	625	-
MCVH710	80	1350	710	810	40	745	-



Issue 2016.06

CFM Airsystems reserve the right to change design without any notice or obligation. Please refer to your local CFM Airsystems representatives for technical and installation details.



FS 604302